

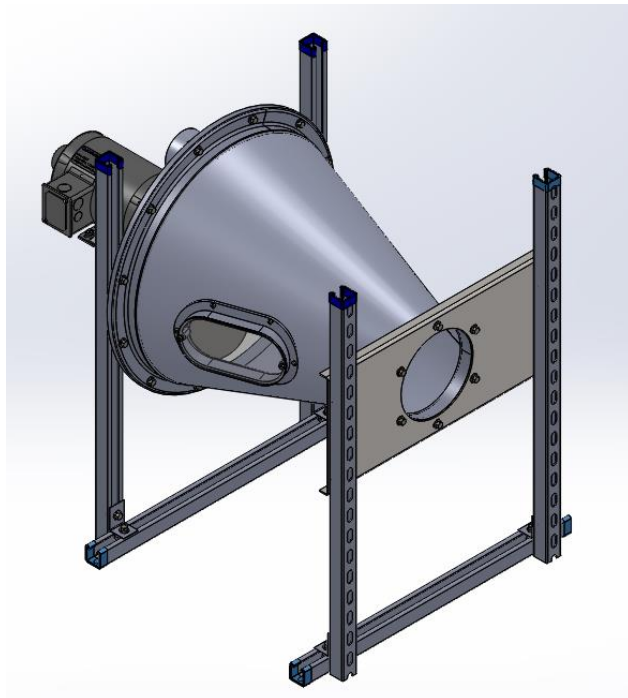


P.O. Box 670 Hoschton GA 30548 USA
Tel: (706) 654-3232 Fax: (706) 654-3888
E-Mail: sales@ibis-usa.com <http://www.ibis-usa.com>

Technical Bulletin 010114

Sealed Rotary Valve Maintenance / General Info

The Ibis Sealed Rotary Valve (SRV) is a piece of equipment that is essential to keeping production lines up, yet it is often overlooked when performing routine system maintenance. Due to the nature of its operation, excessive wear and tear may occur if proper attention is not given to the inside of the conical chamber of the SRV. Ibis recommends doing a quick visual inspection every week to ensure that material has not built up inside the conical chamber. If any material buildup is found, follow lock out-tag out procedures and remove inspection port on the side to allow for cleaning of the SRV. If material continues to build up frequently, please contact Ibis for possible solutions.



Ibis Sealed Rotary Valve (SRV)