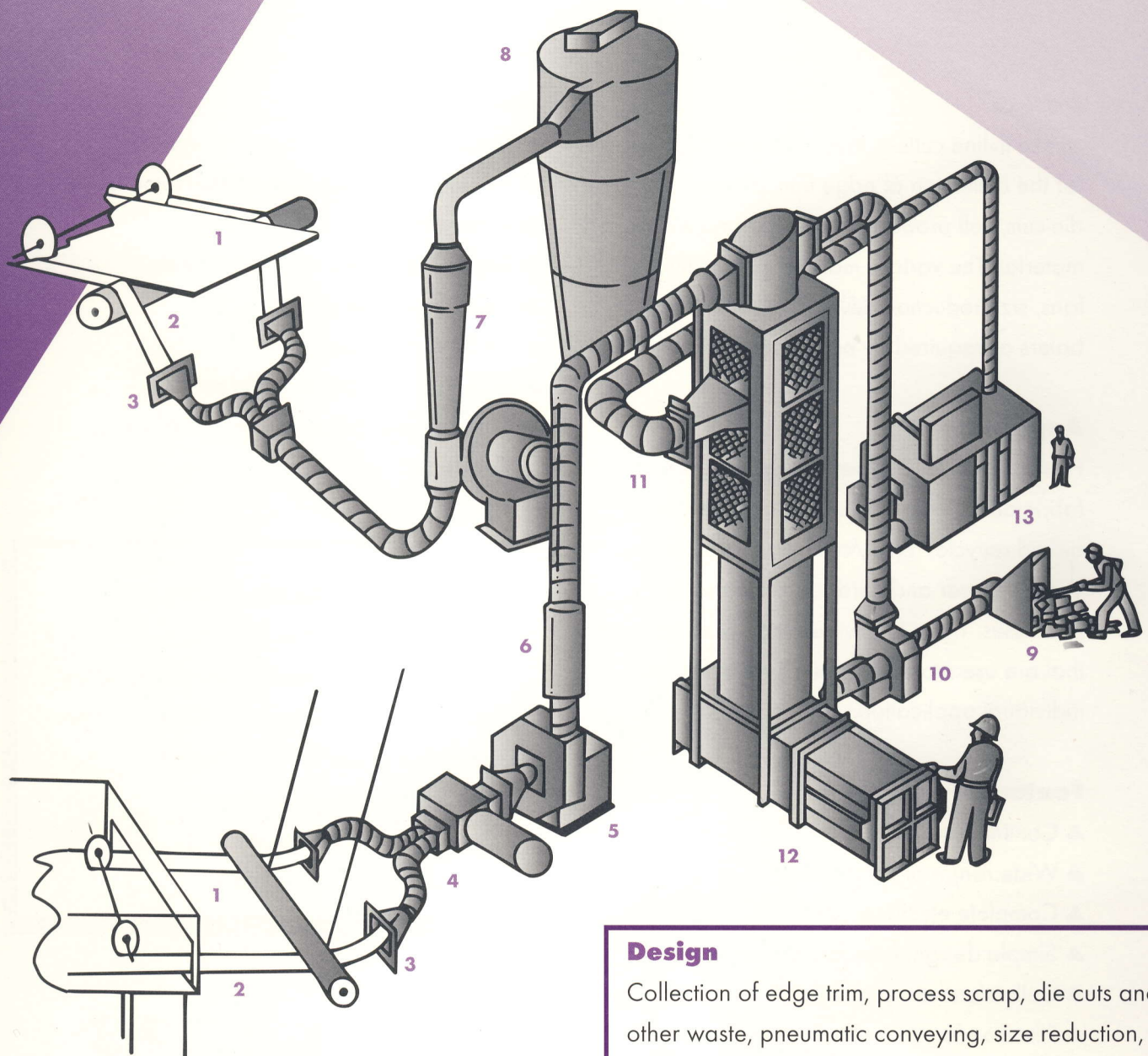


SCRAP/TRIM/CULL COLLECTION SYSTEM



- 1. Non-Woven/Paper/Plastic
- 2. Edge Trim/Selvage
- 3. Pickup Nozzle/Hood
- 4. In-line Cutter/Granulator
- 5. Scrap Handling Fan
- 6. Silencer
- 7. Venturi Trim Handling System
- 8. Scrap/Trim Collector
- 9. Cull/Reject Product
- 10. Cull Handling Fan
- 11. Scrap/Trim/Cull Collector
- 12. Waste Baler
- 13. Rotary Drum Filter

Design

Collection of edge trim, process scrap, die cuts and other waste, pneumatic conveying, size reduction, collection and baling.

Application

Plastic film lines, nonwoven & paper edge trim, fabric & corrugated die cuts, tissue trim, air-laid recycle, reject/cull hygienic products, paper & cardboard reclaim processes.

SCRAP/TRIM/CULL COLLECTION SYSTEM

Design

Utilize in-line cutters, fans and venturi/eductors for the collection of edge trim, process scrap, die-cuts, cull products, and other process related material. The various material passes through fans, size reduction devices, collectors and balers as required by each application.

Application

Plastic film lines, nonwoven & paper edge trim, fabric and corrugated die cuts, tissue trim, airlaid recycle, reject/cull hygienic products, various paper and cardboard reclaiming processes. There is a wide range of components that are used to customize a system for each individual application.

Features

- ▲ Continuous operation
- ▲ Wide range of components
- ▲ Complete electrical controls
- ▲ Simple design, easy maintenance
- ▲ Collection from single points or multiple points
- ▲ Filtration for clean air discharge to meet environmental codes
- ▲ Size reduction utilizing cutters, hammermills, choppers, etc.
- ▲ Trim/scrap processing allows recycling back to products
- ▲ Complete operation manual with system drawing

Options

- ▲ Drum filter and cartridge filter systems
- ▲ Vacuum system for dust control/removal
- ▲ Automatic balers & compactors
- ▲ Support platforms and mezzanines
- ▲ Field installation service
- ▲ CAD/engineering
- ▲ Dust level and air flow field surveys
- ▲ Custom sheet metal hoppers, plenums, hoods, etc.

Ibis ALSO SUPPLIES

- ▲ Rotary Drum Filter Systems
- ▲ Filter System Modifications/Extensions
- ▲ Filter Media & Parts for All Drum Filters
- ▲ Fluff and SAP Reclaim Systems
- ▲ Central Vacuum Systems
- ▲ Acoustical Enclosures
- ▲ Volumetric Fluff Feeders



P.O. Box 870209 • Stone Mountain
Georgia 30087, USA

Phone: (770) 978-8822
Fax: (770) 978-9966
E-mail: sales@ibis-usa.com
<http://www.ibis-usa.com>

Air & Fiber Handling Specialist